

## HDVI Dome Camera Quick Setup Guide

R2-HD5MPMODM  
R2-HD5MPDME

NO:101-100-0535-02  
Issue:1.1

### Precautions

Fully understand this document before using this device, and strictly observe rules in this document when using this device. If you install this device in public places, provide the tip "You have entered the area of electronic surveillance" in an eye-catching place. Failure to correctly use electrical products may cause fire and severe injuries.

<b>WARNING</b>	It alerts you to moderate dangers which, if not avoided, may cause minor or moderate injuries.
<b>CAUTION</b>	It alerts you to risks. Neglect of these risks may cause device damage, data loss, device performance deterioration, or unpredictable results.
<b>NOTE</b>	It provides additional information.

### **WARNING**

- Strictly observe installation requirements when installing the device. The manufacturer shall not be held responsible for device damage caused by users' non-conformance to these requirements.
- Strictly conform to local electrical safety standards and use power adapters that are marked with the LPS standard when installing and using this device. Otherwise, this device may be damaged.
- Use accessories delivered with this device. The voltage must meet input voltage requirements for this device.
- If this device is installed in places with unsteady voltage, ground this device to discharge high energy such as electrical surges in order to prevent the power supply from burning out.
- When this device is in use, ensure that no water or any liquid flows into the device. If water or liquid unexpectedly flows into the device, immediately power off the device and disconnect all cables (such as power cables and network cables) from this device.
- Do not focus strong light (such as lighted bulbs or sunlight) on

this device. Otherwise, the service life of the image sensor may be shortened.

- If this device is installed in places where thunder and lightning frequently occur, ground the device nearby to discharge high energy such as thunder strikes in order to prevent device damage.

### **CAUTION**

- Avoid heavy loads, intensive shakes, and soaking to prevent damages during transportation and storage. The warranty does not cover any device damage that is caused during secondary packaging and transportation after the original packaging is taken apart.
- Protect this device from fall-down and intensive strikes, keep the device away from magnetic field interference, and do not install the device in places with shaking surfaces or under shocks.
- Clean the device with a soft dry cloth. For stubborn dirt, dip the cloth into slight neutral cleanser, gently wipe the dirt with the cloth, and then dry the device.
- Do not jam the ventilation opening. Follow the installation instructions provided in this document when installing the device.
- Keep the device away from heat sources such as radiators, electric heaters, or other heat equipment.
- Keep the device away from moist, dusty, extremely hot or cold places, or places with strong electric radiation.
- If the device is installed outdoors, take insect- and moisture-proof measures to avoid circuit board corrosion that can affect monitoring.
- Remove the power plug if the device is idle for a long time.

### Special Announcement

- All complete products sold by the manufacturer are delivered along with nameplates, quick setup guide and accessories after strict inspection. The manufacturer shall not be held responsible for counterfeit products.
- The manufacturer will update this manual according to product function enhancement or changes and regularly update the software and hardware described in this manual. Update information will be added to new versions of this manual without prior notice.
- This manual may contain misprints, technology information that is not accurate enough, or product function and operation description that is slightly inconsistent with the actual product, the final interpretation of company is as a standard.
- This manual is only for reference and does not ensure that the information is totally consistent with the actual product. For consistency, see the actual product.

### **NOTE**

For more information, please refer to website.

## 1 Open Package Examination

Open the package, check the appearance of product for no obvious damage, and confirm the item list for table 1-1 is consistent.

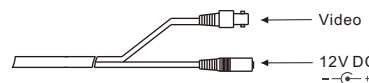
Table 1-1 Packing list

Component	Quantity	Remark
HDVI Vandal Dome Camera	1	
Quick Setup Guide	1	
T15 Screw driver	1	Applied for large dome
T10 Screw driver	1	Applied for mini dome
Installation location sticker	1	
Stainless self-tapping screw PA4.0×30mm	3	
Plastic anchor φ5.6×29mm	3	

## 2 Device Structure

### 2.1 Power and video cables

Figure 2-1 Power and video cable

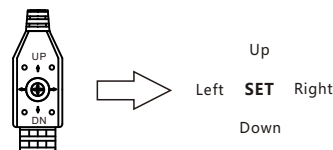


Connect the BNC connector of the power or video cable to a video signal cable and connect the other connector to a low-voltage power cable (12V DC). After installing the camera, directly connect the video cable and power cable.

### 2.2 Function Keys

Users can call OSD main menus through multi function switch control keys, and check and set camera parameters, function keys is shown as figure 2-2.

Figure 2-2 Function keys



### Operation description

**SET key:** It is used to enter OSD menus or select menu items when you press this key in the middle of the multi function switch.  
**UP/DOWN keys:** The UP and DOWN keys are used to select menu items upwards and downwards by prodding the multi function switch upwards and downwards, the menu items rapidly roll upwards and downwards accordingly;  
**LEFT/RIGHT keys:** The LEFT and RIGHT keys are used to select menu items horizontally or modify parameters by prodding the multi function switch towards the left or the right, the parameter values will rapidly decrease or increase.  
 Press and hold the LEFT button for 5s to switch to AHD mode. Press and hold the RIGHT button for 5s to switch to TVI mode. Press and hold the UP button for 5s to switch to CVBS mode. Press and hold the DOWN button for 5s to switch to CVI mode.

### **NOTE**

The detail operation of OSD please refer to *Camera OSD Operation Guide*.

### 2.3 Lens Adjustment

#### **NOTE**

Len adjustment is only applied for large dome.

Figure 2-3 Lens adjustment

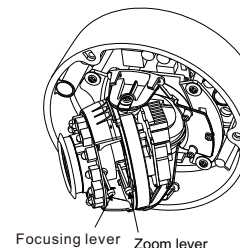


Table 2-1 Lens adjustment description

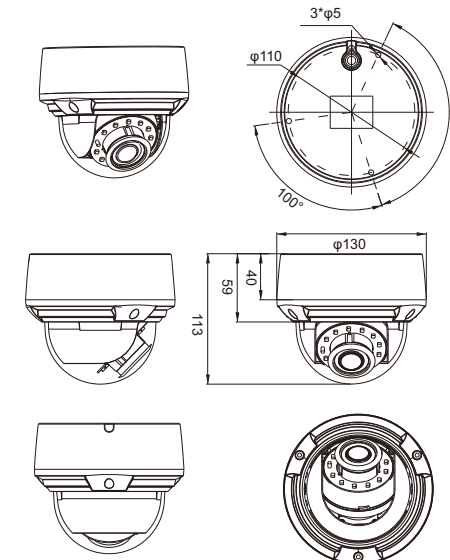
Port Name	Description
Focusing lever	Adjust the focus of lens, the default status is lock.
Zoom lever	Adjust the lens focal length, the default status is lock.

### 2.4 Camera Dimensions

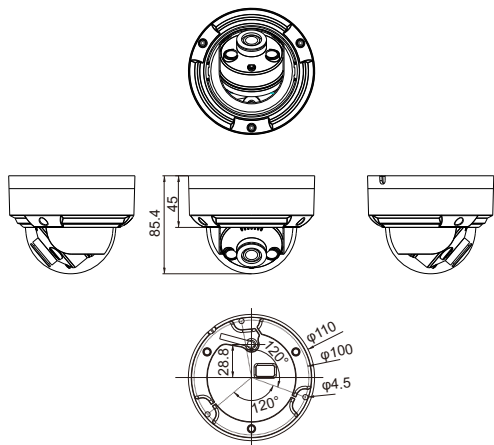
#### **NOTE**

Different device may have different dimensions, please refer to the actual product.

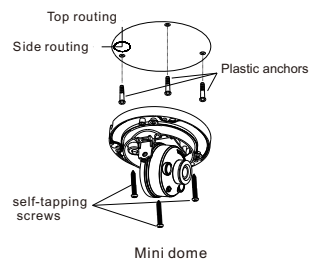
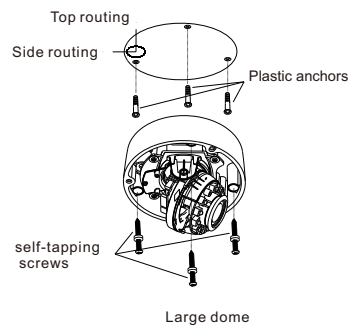
Figure 2-4 Dimensions of Large Dome Unit:mm



**Figure 2-5 Dimensions of Mini Dome (Unit :mm)**

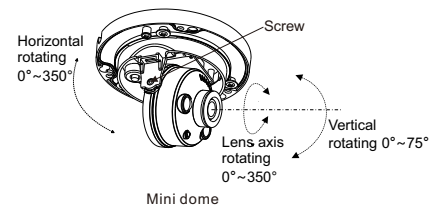


**Figure 3-2 Installing housing**

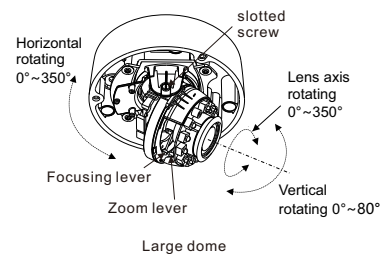


Step 6 View the video, loosen the screw slightly as shown in figure 3-4 & figure 3-5, make camera's triaxial and focus adjustments, adjust the screen to the scene you want to monitor, and then tighten the screws. Three-axis adjustment direction and angle are shown in figure 3-4 & figure 3-5

**Figure 3-4 Three-axis adjustment**



**Figure 3-5 Three-axis & lens adjustment**



### 3 Device Installation

**WARNING**

To avoid moisture intrusion, install the dome cover at least half an hour after the camera is installed and powered on.

The vandal dome camera can be installed in the ceiling, wall, wall bracket or ceiling bracket. This section describes how to install the camera in the ceiling.

**Installation Steps:**

Step 1 Use the T15 screw driver in the accessory package to unscrew the three screws on the dome cover. The camera is opened, as shown in figure 3-1.

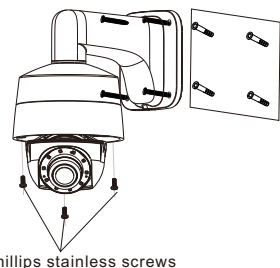
**Figure 3-1 Opening camera**



Step 2 Stick the Installation location sticker on the ceiling or wall. Drill three holes based on the marks on the sticker. Drive the plastic anchors into the holes.

Step 3 Fetch three black self-tapping screws from the accessory package. Then fix the screws to fasten the camera on the ceiling as shown in figure 3-2.

**Figure 3-2 Installing on bracket**



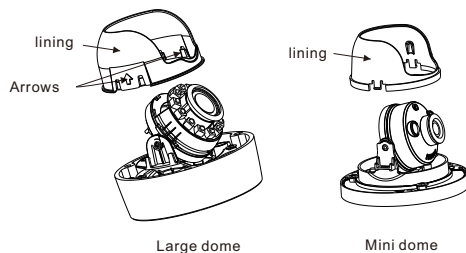
**NOTE**

If user want to install large dome on bracket or junction box you must retrieve three phillips stainless screws in the accessory to fix the camera to achieve the waterproof effect. As shown in figure 3-2.

Step 4 Connect the Power and video cable.

Step 5 Press the arrows marked on the lining to remove the lining aside, as shown in figure 3-3.

**Figure 3-3 Removing lining**



Step 7 Loosen the focus lever, and gently move the zoom lever to adjust the lens focal length to the desired position. Move the focus lever slightly to focus the lens clearly. Tighten the focus lever after completing the focusing operation, as shown in figure 3-5 (This step is only applied for large dome).

**NOTE**

- While focusing lever is in the process of focusing, an image might be blur, move the zoom lever to fine-tune the image, when image is clear, lock the zoom lever.
- If the lens of camera is auto focus lens, Set the focus value in Sensor > Lens control page in web page.

Step 8 Assemble the lining with the main body and buckle the button placements with the main body bracket. Aim the two screws hole with boss at the groove on the main body. Then fasten the dome cover, as shown in figure 3-6.

**Figure 3-6 Assembling lining and cover**

